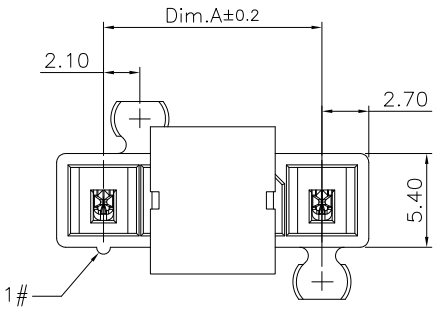


1 2 3 4 5



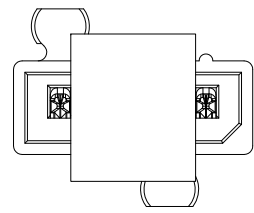
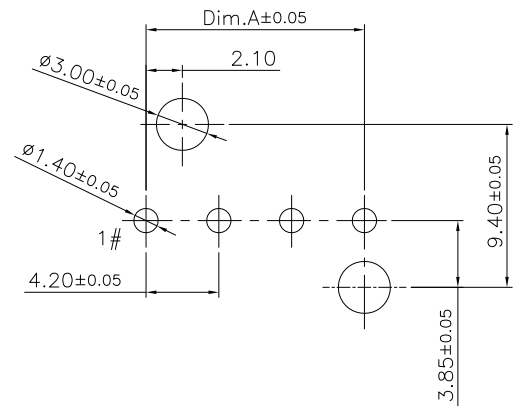
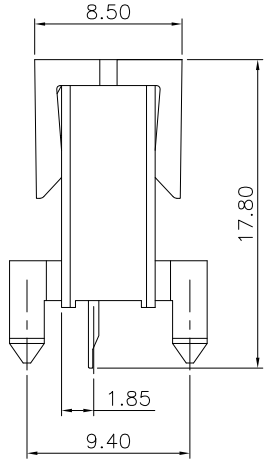
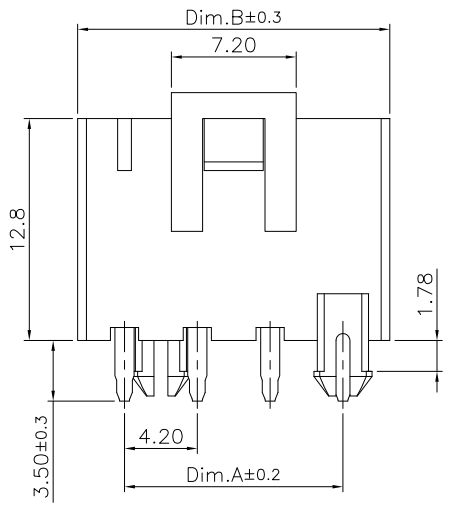
Dimension Information:

Pos.	Dim.A	Dim.B
03	8.40	13.80
04	12.60	18.00
05	16.80	22.20

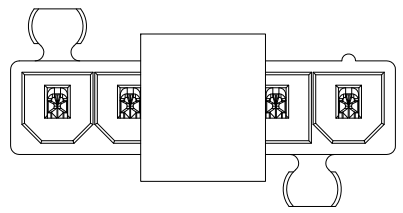
Specifications:  
 Current Rating:9.0A AC,DC  
 Voltage Rating:600V AC,DC  
 Contact Resistance:10m ohm.Max  
 Insulation Resistance:1000M ohm.Min  
 Withstanding Voltage:1500V AC/Minute  
 Operating Temperature Range:-40°C~+105°C

Material:  
 Insulator:Nylon 66(UL94V-0)  
 Insulator Color:White  
 Contact:Brass  
 Plated:Tin Plated

How To Order  
 420B1VXX20XX  
 Blank: STD  
 TR:Cap&Tape&Reel  
 NO. of Contacts



3P



5P

RECOMMENDED P.C.B LAYOUT  
 THICKNESS=1.78 MAX.

RoHS Compliant

F			
E			
D			
C			
B			
A	12-DEC-2022		ZONGYI
REV	DATE	FILE	BY

DRAWN: ZONGYI	GENERAL TOLERANCE: .X=±0.40 .XX=±0.30
CHECKED:	
APPROVAL: RORY	UNIT: MM SCALE: 1:1 SHEET: 1/1 PROJECTION:

ON-SHORE TECHNOLOGY, INC.	
DESCRIPTION: 4.20mm Power Wafer Single Row Straight Type(With post)	SIZE <b>A4</b>
PART NO: 420B1VXX20	

A

B

C

D