

Specifications:  
 Current Rating: 1.0A AC,DC  
 Voltage Rating: 50V AC,DC  
 Contact Resistance: 20m ohm.Max  
 Insulation Resistance: 1000M ohm.Min  
 Withstanding Voltage: 500V AC/Minute  
 Operating Temperature Range: -40°C ~ +105°C

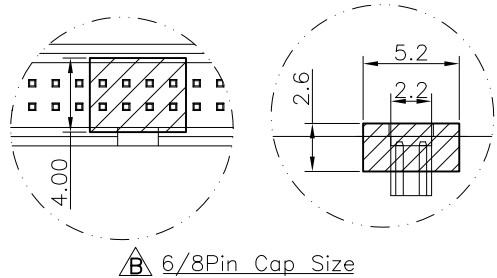
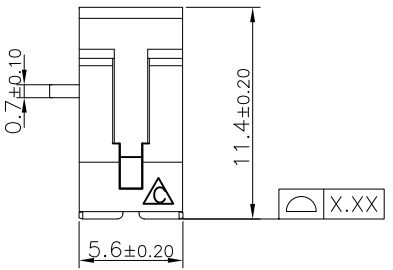
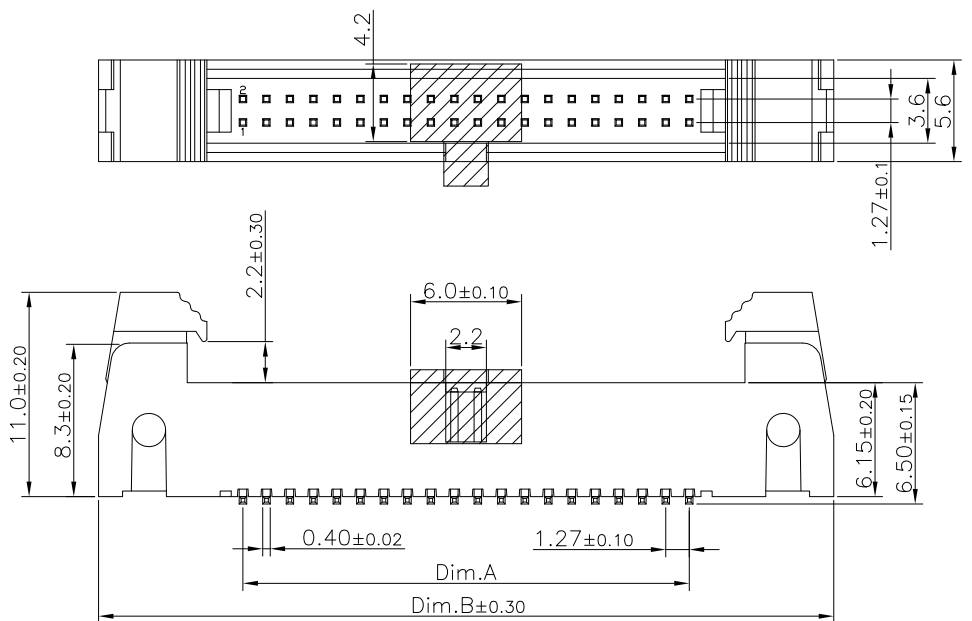
Material And Finish:  
 Insulator: Nylon 9T (UL94V-0)  
 Insulator Color: Black  
 Contact: Brass  
 Plated: Gold/Tin/Selective Gold Plated

How To Order  
 305-SXXX-SX

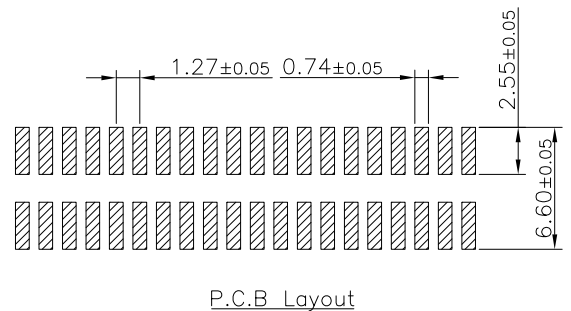
- 0: Tube
- 1: Cap+Tape&Reel
- 2: Cap+Tube
- 3: Tape&Reel
- 1:Gold Plated
- 5:Tin Plated
- 6:Selective Gold Plated

No. Of Contacts

Pin No.	Coplanarity
6~20	0.10
26~40	0.12

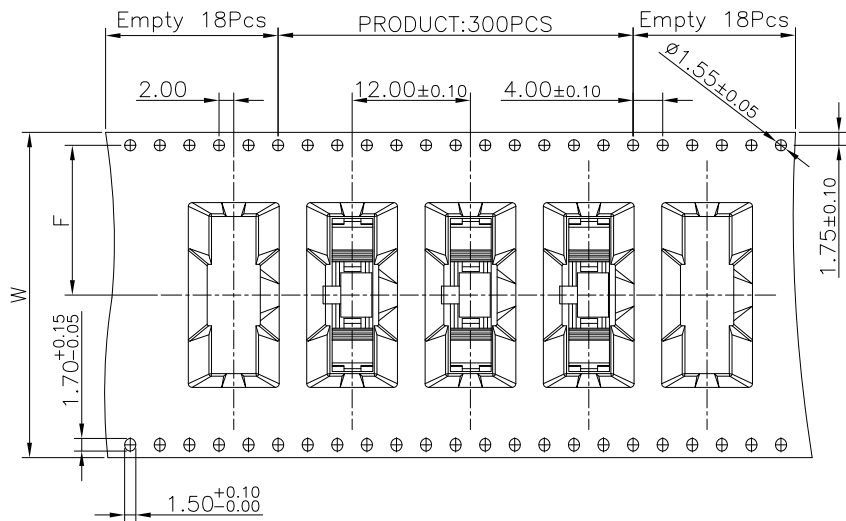


Pin.No	Dim.A	Dim.B	Pin.No	Dim.A	Dim.B
06	2.54	18.16	30	17.78	33.40
08	3.81	19.43	34	20.32	35.94
10	5.08	20.70	40	24.13	39.75
14	7.62	23.24			
16	8.89	24.51			
20	11.43	27.05			
26	15.24	30.86			

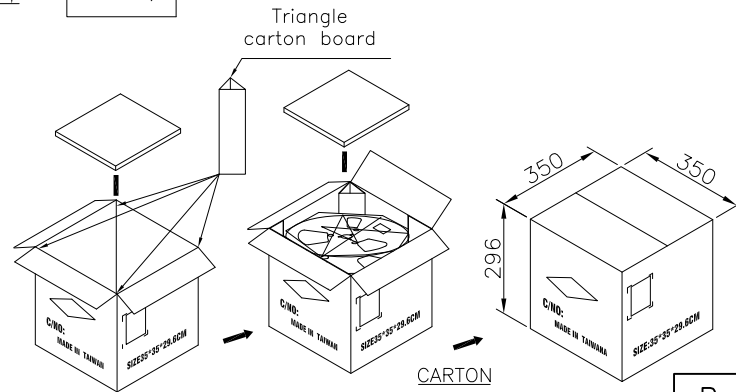
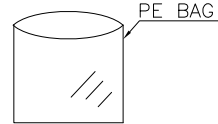
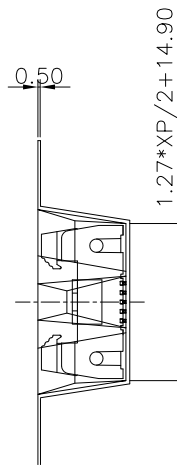
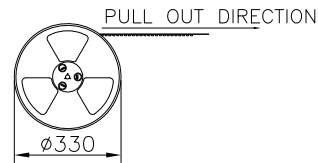
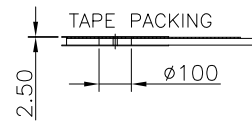
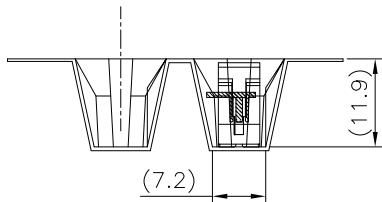


RoHS Compliant

F				DRAWN:	GENERAL TOLERANCE:	 ON-SHORE TECHNOLOGY, INC.		
E				MEI	X.=±0.25			
D				CHECKED:	.X=±0.20			
C	15-JUN-2022		SELIN	JERRY	.XX=±0.15		DESCRIPTION:	SIZE
B	03-MAY-2022	Modify Cap Size 6P.8P	MEI		UNIT: MM		1.27mm Shrouded Header SMD Type	
A	31-MAR-2022		MEI	APPROVAL:	SCALE:	PART NO:		
REV	DATE	FILE	BY	RORY	SHEET: 1/2	305-SXXX-SX		
					PROJECTION:			



For Reel width (dimension W)44,56mm,Double rows



NOTE:  
 1.All dimensions meet EIA-481-B requirements.  
 2.Material: Black Conductive Polystyrene Alloy  
 100% recyclable.  
 3.Thickness: 0.5±0.05mm  
 4.Packing length per 13"Reel:5.8Meters.  
 5.Component load per 13" Reel:300Pcs+36Pcs  
 6.Carton Size:350\*350\*296(mm)

Pin No.	W	F	Pcs/R	R/CTN	Q'TY
06	44	20.20	300	5	1500
08	44	20.20	300	5	1500
10	44	20.20	300	5	1500
14	44	20.20	300	5	1500
16	44	20.20	300	5	1500
20	44	20.20	300	5	1500
26	56	26.20	300	4	1200
30	56	26.20	300	4	1200
34	56	26.20	300	4	1200
40	72	34.20	300	3	900

RoHS Compliant

F				DRAWN:	GENERAL TOLERANCE:		ON-SHORE TECHNOLOGY, INC.
E				MEI	.X=±0.15 .XX=±0.10		
D				CHECKED:	UNIT: MM	DESCRIPTION:	SIZE
C	15-JUN-2022		SELIN	JERRY	SCALE:		
B	03-MAY-2022	Modify Cap Size 6P.8P	MEI	APPROVAL:	SHEET: 2/2	PART NO:	305-SXXX-SX
A	31-MAR-2022		MEI	RORY	PROJECTION:		
REV	DATE	FILE	BY				