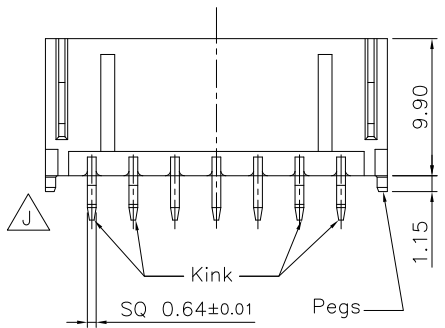
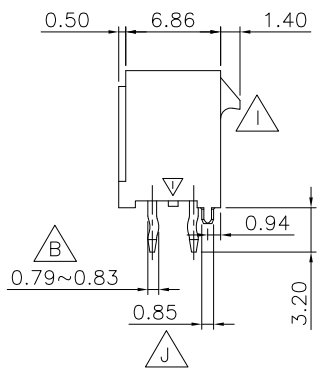


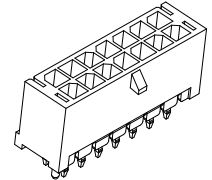
2P~8P: All Kink



10P~24P: The first 4pin kink and last 4pin kink



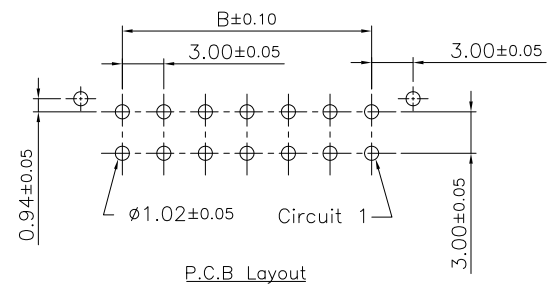
Specifications:  
 Current Rating: 5.0A AC/DC  
 Voltage Rating: 250V AC/DC  
 Contact Resistance: 10m ohm. Max.  
 Insulation Resistance: 1000M ohm. Min.  
 Withstanding Voltage: AC 1500V AC/minute  
 Operating Temperature Range: -40°C ~ +105°C



Material and Finish  
 Insulator: LCP UL94V-0  
 Insulator Color: Black  
 Contact: Copper Alloy  
 Finish: Tin/Gold Plated

How to Order  
 300HBT2VXXX

- Blank Tin Plated
- G: Gold Plated  $\Delta$
- SG15: 15u" Gold Plated On Contact Area, Matte Tin On Solder Tail.  $\Delta$
- No. of Contacts

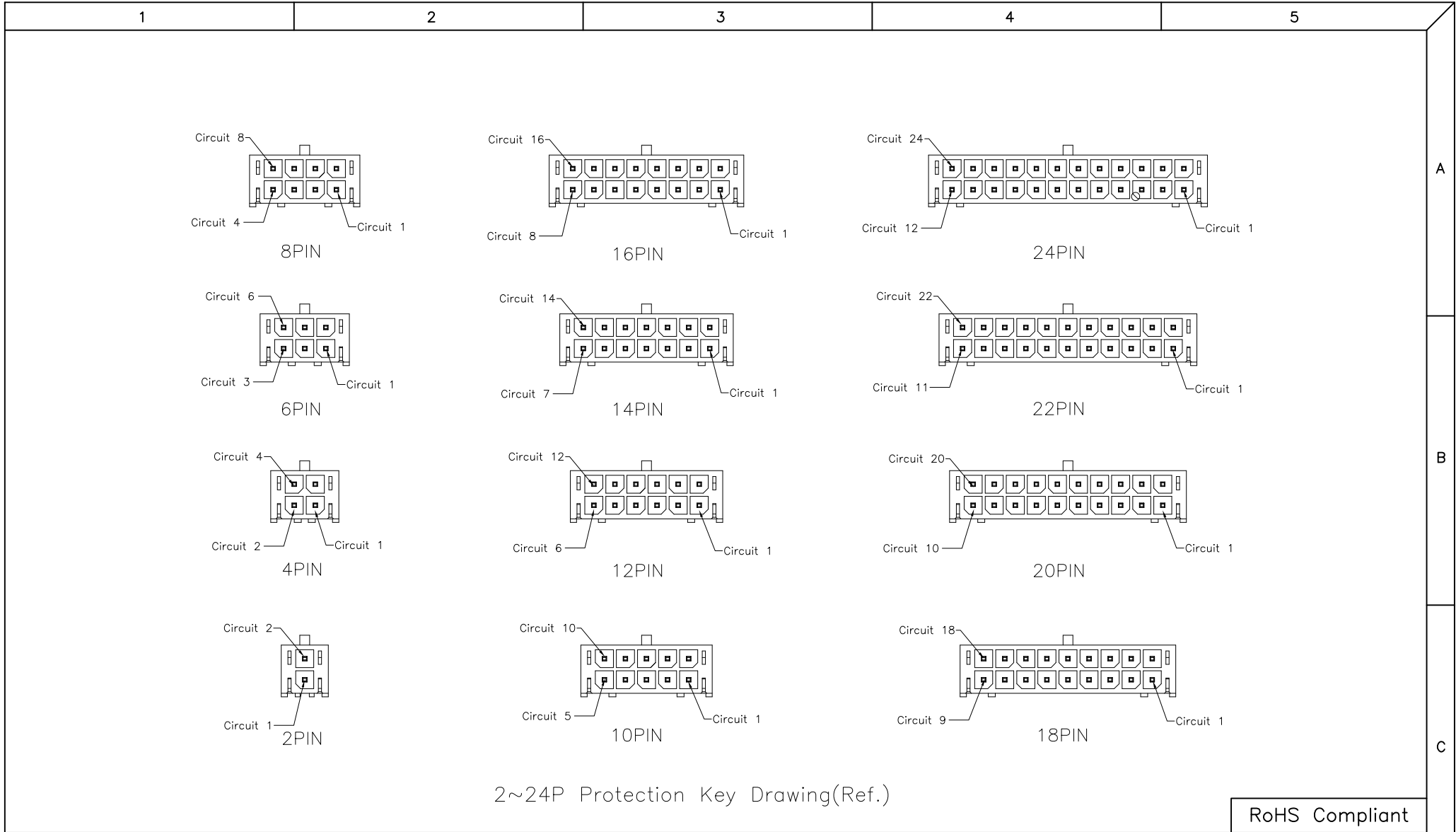


P.C.B Layout

Circuits	Dimension		Circuits	Dimension	
	A	B		A	B
2	6.7	—	14	24.7	18.0
4	9.7	3.0	16	27.7	21.0
6	12.7	6.0	18	30.7	24.0
8	15.7	9.0	20	33.7	27.0
10	18.7	12.0	22	36.7	30.0
12	21.7	15.0	24	39.7	33.0



RoHS Compliant

L				DRAWN:	GENERAL TOLERANCE:	 ON-SHORE TECHNOLOGY, INC.	DESCRIPTION:	SIZE
K	28-Nov-2022	Add Plated Options	Lucy Du	Justin Ho	.X=±0.20 .XX=±0.15			
J	25-Feb-2022	Amend Peg Add Gold Options	Lisy Liu	CHECKED:	UNIT: MM	3.0mm Pitch Power Wafer Straight Type	PART NO:	D
I	02-Feb-2017	???????	Jamie Wang	Jerry Chen	SCALE: 1:1			
H	12-Jun-2016	ECN-TW1605016	Blake Huang	APPROVAL:	SHEET: 1/2	300HBT2VXX $\Delta$		
A	07-Mar-2016		Justin Ho	Mike Wu	PROJECTION:			
REV	DATE	FILE	BY					



2~24P Protection Key Drawing(Ref.)

RoHS Compliant

L				DRAWN:	GENERAL TOLERANCE:	 <b>ON-SHORE TECHNOLOGY, INC.</b>		DESCRIPTION:	SIZE
K	28-Nov-2022	Add Plated Options	Lucy Du	Justin Ho	.X=±0.20 .XX=±0.15				
J	25-Feb-2022	Amend Peg Add Gold Options	Lisy Liu	CHECKED:	UNIT: MM	3.0mm Pitch Power Wafer Straight Type			
I	02-Feb-2017		Jamie Wang	Jerry Chen	SCALE: 1:1				
H	12-Jun-2016		Blake Huang	APPROVAL:	SHEET: 2/2	PART NO:			
A	07-Mar-2016		Justin Ho	Mike Wu	PROJECTION:				300HBT2VXX 
REV	DATE	FILE	BY						