

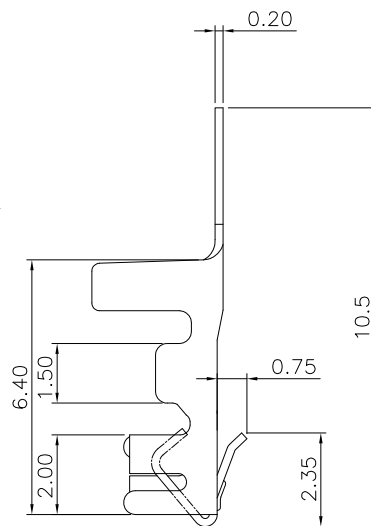
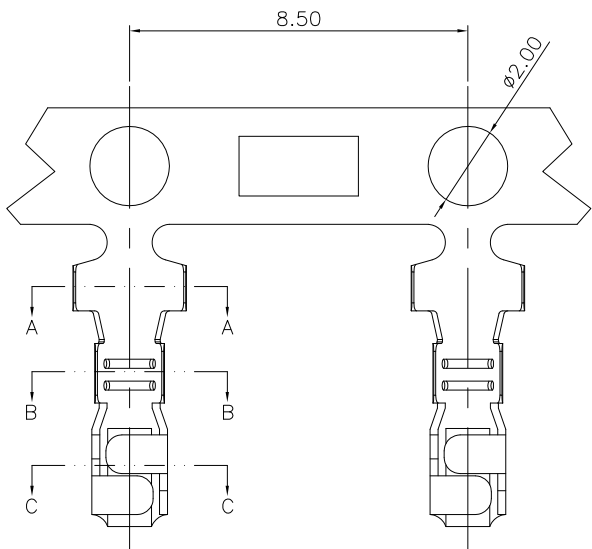
1

2

3

4

5



Specifications:

Current Rating: 3.0 AC,DC
 Voltage Rating: 250V AC,DC
 Contact Resistance: 20m ohm.Max
 Withstanding Voltage: 1000V AC/Minute
 Operating Temperature Range: $-25^{\circ}\text{C} \sim +85^{\circ}\text{C}$
 Application Wires: AWG22# to 30#
 Insulation O.D.: $\phi 0.9-1.9\text{mm}$
 Mates With 250B2XX Series Housing

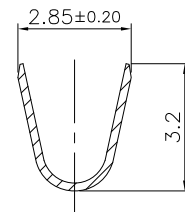
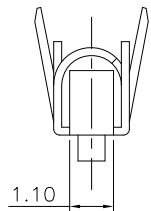
Material And Finish:

Contact: Phosphor Bronze
 Plated: Tin/Gold Plated/B
 Packing: 8000pcs/Reel

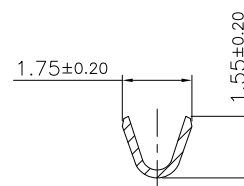
How To Order

250C2T-XX $\triangle B$

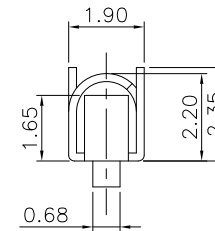
P Phosphor Bronze
 B:Brass
 T:Blank Tin Plated $\triangle B$
 G:Gold Plated $\triangle B$



Section A-A


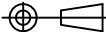


Section B-B



Section C-C

RoHS Compliant

F				DRAWN:	GENERAL TOLERANCE:	 ON-SHORE TECHNOLOGY, INC.	DESCRIPTION:	SIZE
E				LUCY	.X= ± 0.20 .XX= ± 0.15			
D				CHECKED:	UNIT: MM	2.5mm Wire to Board Housing Terminal		
C				JERRY	SCALE: 1:1			
B	24-APR-2023	Add Plated Options	LUCY	APPROVAL:	SHEET: 1/1	PART NO:		
A	09-JUN-2022		LUCY	RORY	PROJECTION: 			250C2T-XX $\triangle B$
REV	DATE	FILE	BY					