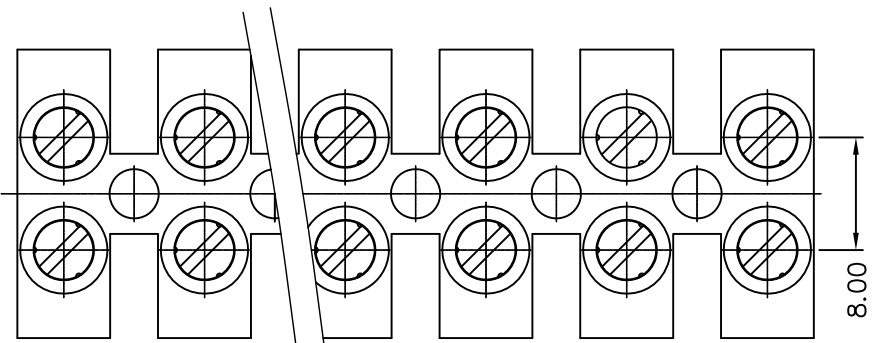
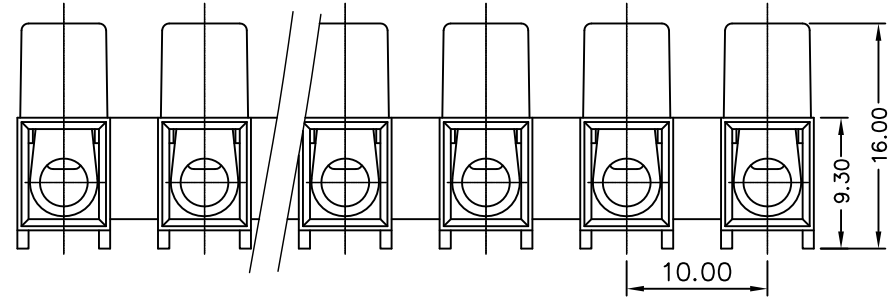
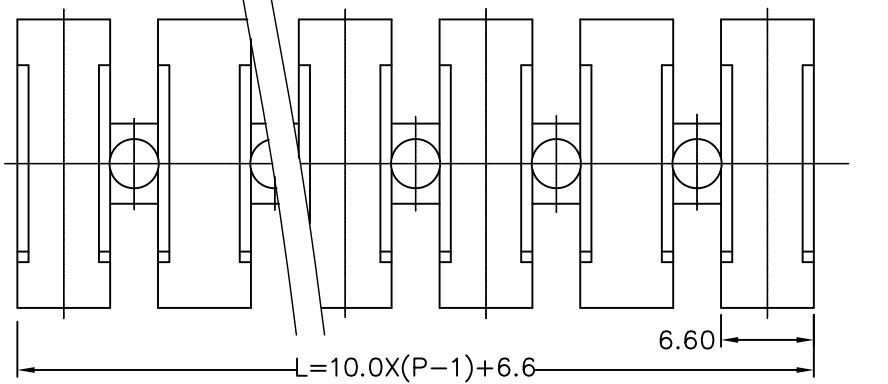


SIGN	DATE	DESCRIPTION	APPROVER
THIS IS CAD DRAWING, DO NOT REVISE MANUALLY!!!			



- NOTES:
1. Rating: 300V 20A(UL)
 2. Insulation Withstanding Voltage: AC2000V/MIN
 3. Insulation Resistance: $\geq 500M\Omega$ or more at DC500V
 4. Temperature Range: $-33^{\circ}C/+105^{\circ}C$
 5. Screw Torque Value: 4.5 lbf-in(UL)
 6. Suitable Electric Wire: 10-22AWG

RoHS Compliant

DIM	P	2	3	4	5	6	7	8	9	10	11	12
L		16.6	26.6	36.6	46.6	56.6	66.6	76.6	86.6	96.6	106.6	116.6
TOL (\pm)		0.08	0.12	0.16	0.20	0.24	0.28	0.32	0.36	0.40	0.44	0.48

THESE DRAWINGS AND SPECIFICATIONS ARE THE PROPERTY OF ON-SHORE TECHNOLOGY, INC. AND SHALL NOT BE REPRODUCED, COPIED OR USED IN ANY MANNER WITHOUT THE PRIOR WRITTEN CONSENT OF ON-SHORE TECHNOLOGY, INC.



TITLE		ES1000 Series - 10.0mm Euro Strip, flat base				
PART NO.	ES1000/XXFB	DCX - number of poles per row		DWG NO.	ES1000/XXFB.DWG	
APPROVED	CHECKED	DESIGNED	DRAWN	5020		
KSZ 2007.08.01	KSZ 2007.08.01	KSZ 2007.08.01	KSZ 2007.08.01	Tolerance		
					UNIT: mm	.X ± 0.15
					SCALE: NONE	.XX ± 0.075
				SHEET: 01/01	REV: A	.XXX ± 0.05