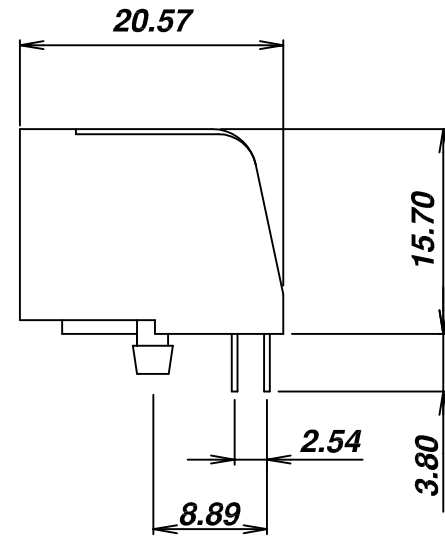
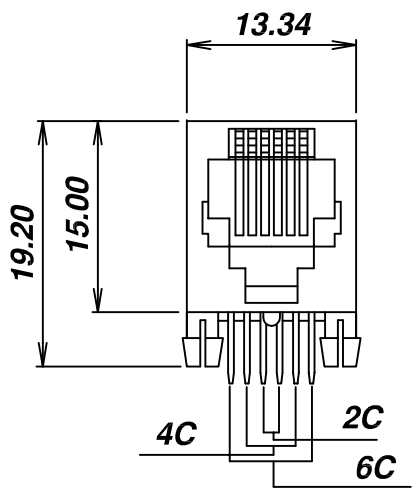
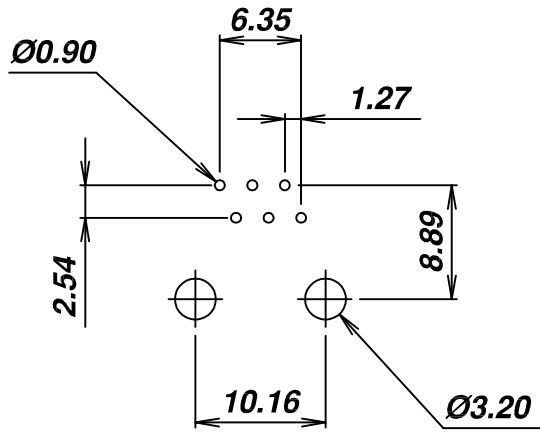


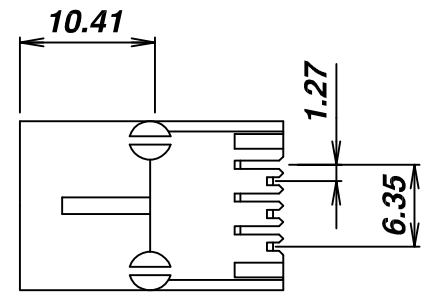
SIGN	DATE	DESCRIPTION	APPROVER
		<i>THIS IS CAD DRAWING, DO NOT REVISE MANUALLY!!!</i>	



- Material:**
- Housing: PBT Glass Filled (UL 94V-0)
  - Color: Black
  - Spring Wire: 0.35mm Diameter Phosphor Bronze Gold Plating over Nickel
  - Temp. Range: -25°C - +90°C
  - Durability: 500 Mating cycles Min.
  - Packaging: 100/tray
- Electrical:**
- Current rating: 1.5A Max.
  - Voltage rating: 120V AC
  - Insulation Resistance: >500 MΩ
  - Contact Resistance: <20mΩ
  - Dielectric Voltage: 1,000 Vrms for 60 sec. min.
- RoHS Compliant



**PCB LAYOUT  
(Top View)**



Part Number

PJ006-6PXCX

Number of contacts: 2, 4, 6

Selective Gold plating: 6=6u"(STD) 7= 15u" 8=30u" 9=50u"

Non STD may require MOQ

THESE DRAWINGS AND SPECIFICATIONS ARE THE PROPERTY OF ON-SHORE TECHNOLOGY, INC. AND SHALL NOT BE REPRODUCED, COPIED OR USED IN ANY MANNER WITHOUT THE PRIOR WRITTEN CONSENT OF ON-SHORE TECHNOLOGY, INC.

		<b>ON-SHORE TECHNOLOGY, INC.</b>					
						TITLE PJ006 Series - 6 pos, 2, 4, 6 contacts, side entry, thru hole	
PART NO.		PJ006-6PXCX		DWG NO.		PJ006-6PXCX.DWG	
APPROVED		CHECKED	DESIGNED	DRAWN	CUST NO.		Tolerance
Billy 2005.01.12		John 2005.01.12	Tony 2005.01.12	Steven 2005.01.12			UNIT: mm SCALE: NONE X.XX ±0.25 X.XXX ±0.13 X.XXXX ±0.05
		SHEET: 01/01		REV: A			