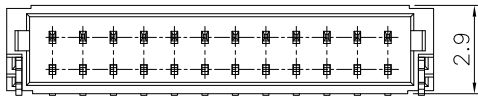
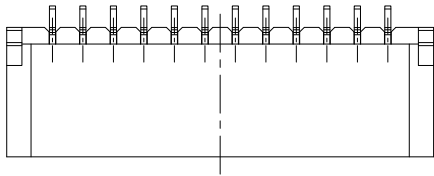


Specifications:
 Current Rating:1.0A AC/DC
 Voltage Rating:50V AC/DC
 Contact Resistance:20m ohm. Max.
 Insulation Resistance:100M ohm. Min.
 Withstanding Voltage:500V AC For One Minute
 Operating Temperature Range:-25°C ~ +85°C

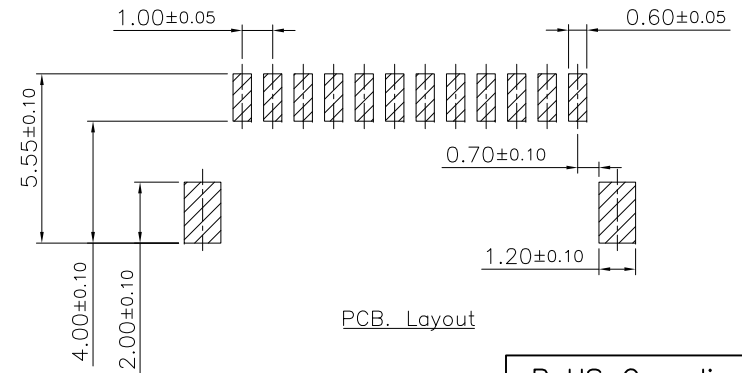
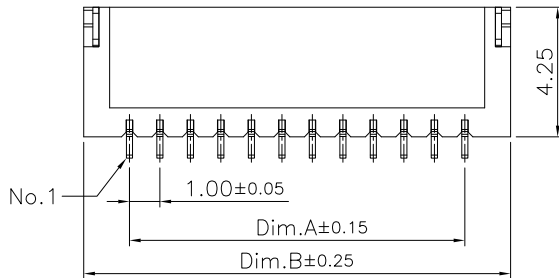
Material and Finish
 Insulator:LCP (UL 94V-0)
 Insulator Color: Natural(White)/Black
 Contact:Phosphor Bronze
 Plated:Gold/Tin Plated

Poles	Dimension		Poles	Dimension	
	A	B		A	B
02	1.0	4.0	10	9.0	12.0
03	2.0	5.0	11	10.0	13.0
04	3.0	6.0	12	11.0	14.0
05	4.0	7.0	13	12.0	15.0
06	5.0	8.0	14	13.0	16.0
07	6.0	9.0	15	14.0	17.0
08	7.0	10.0	20	19.0	22.0
09	8.0	11.0			



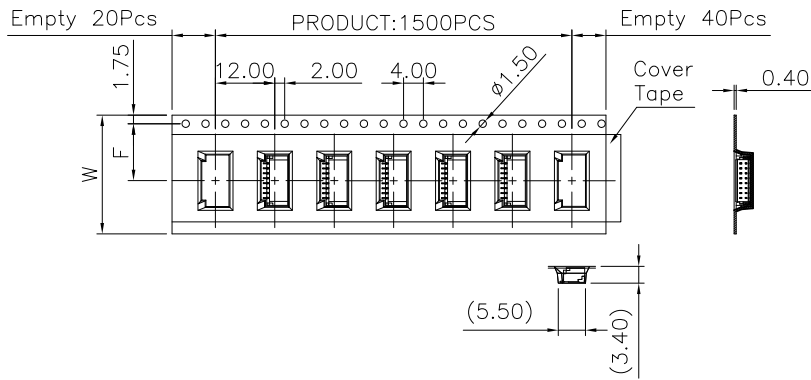
How To Order
 100BXHXXXX

Blank Natural(White)
 BK:Black
 T/Reel w/pad
 T/Reel w/out pad
 Tube w/out pad
 No. of Contacts
 1:Gold Plated
 5:Tin Plated

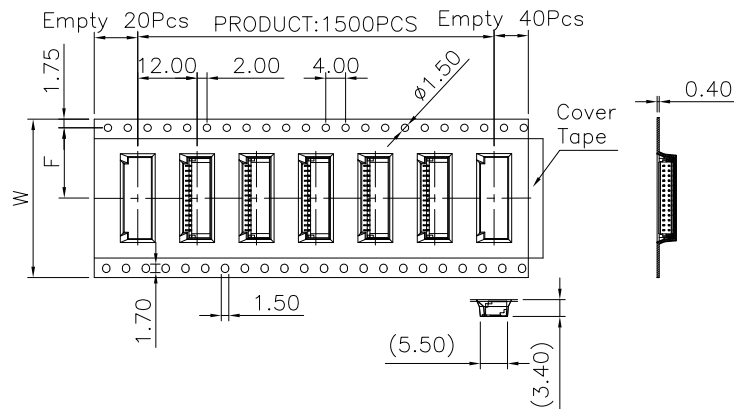


RoHS Compliant

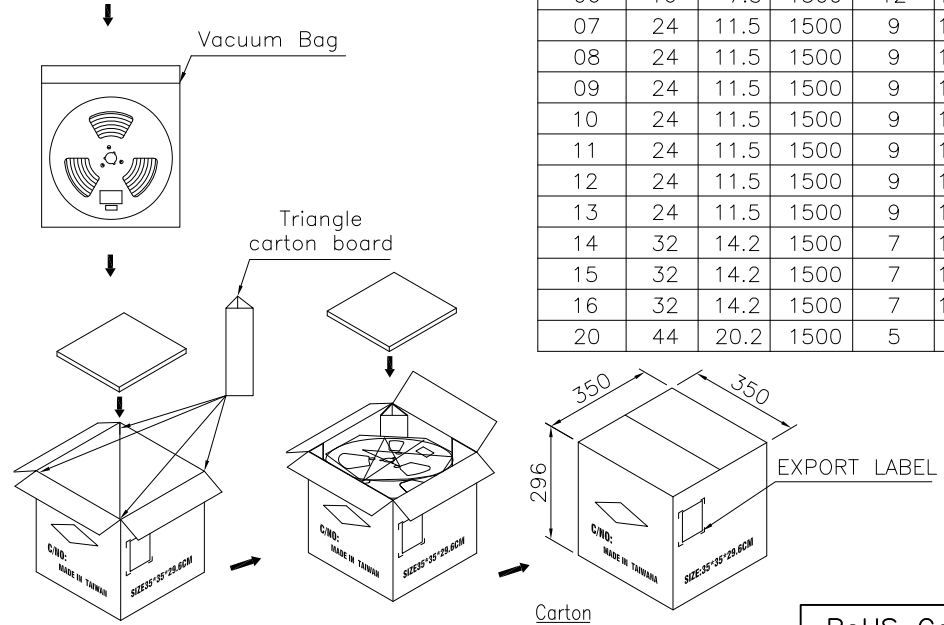
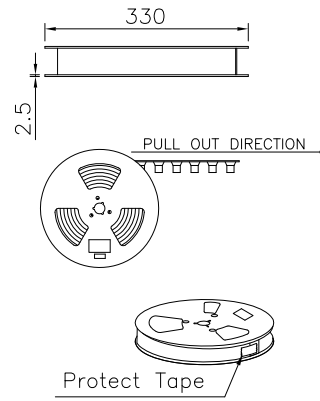
F				DRAWN: Lisy Liu	GENERAL TOLERANCE: .X=±0.20 .XX=±0.15	 ON-SHORE TECHNOLOGY, INC.
E				CHECKED: Jerry Chen	UNIT: MM	
D	10-OCT-2022			APPROVAL: Rory Chen	SCALE: 1:1	PART NO: 100B1HXXXX
C					SHEET: 1/2	
B					PROJECTION:	
A	03-MAR-2022		Lisy			
REV	DATE	FILE	BY			



For Reel width (dimension W)16,24mm ,Single row hole



For Reel width (dimension W)32,44mm ,Double rows hole



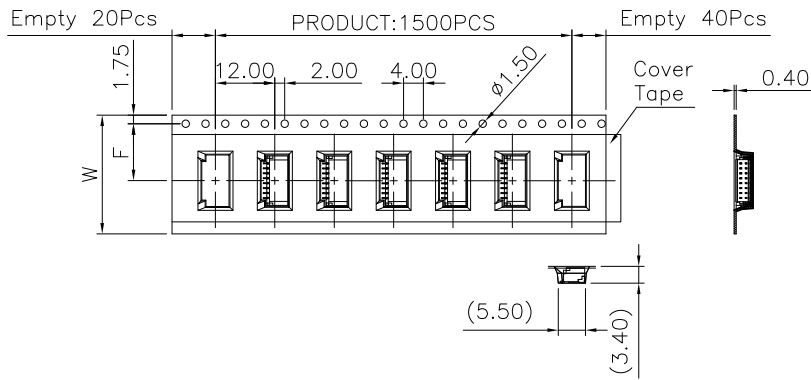
Note:

- 1.All dimensions meet EIA-481-3 requirements.
- 2.Material: BK Conductive Polystyrene Alloy
100% recyclable.
- 3.Thickness : 0.40±0.05mm
- 4.Component load per 13" reel :1500 pcs.
- 5.CARTON SIZE:350*350*296(mm)
REEL SIZE: 330(mm)
Vacuum bag:450*500*0.2(mm)
SET SPUAR SIZE:35*25.5(mm)
Partitions SIZE:330*330(mm)

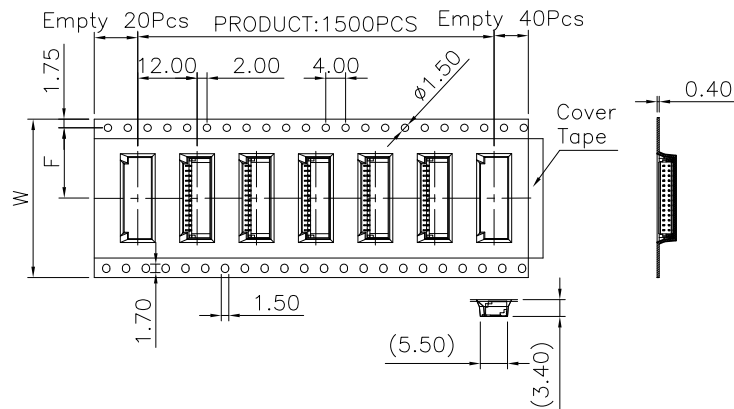
Pin.No	W	F	Pcs/R	R/CTN	Q'TY
02	16	7.5	1500	12	18,000
03	16	7.5	1500	12	18,000
04	16	7.5	1500	12	18,000
05	16	7.5	1500	12	18,000
06	16	7.5	1500	12	18,000
07	24	11.5	1500	9	13,500
08	24	11.5	1500	9	13,500
09	24	11.5	1500	9	13,500
10	24	11.5	1500	9	13,500
11	24	11.5	1500	9	13,500
12	24	11.5	1500	9	13,500
13	24	11.5	1500	9	13,500
14	32	14.2	1500	7	10,500
15	32	14.2	1500	7	10,500
16	32	14.2	1500	7	10,500
20	44	20.2	1500	5	7,500

RoHS Compliant

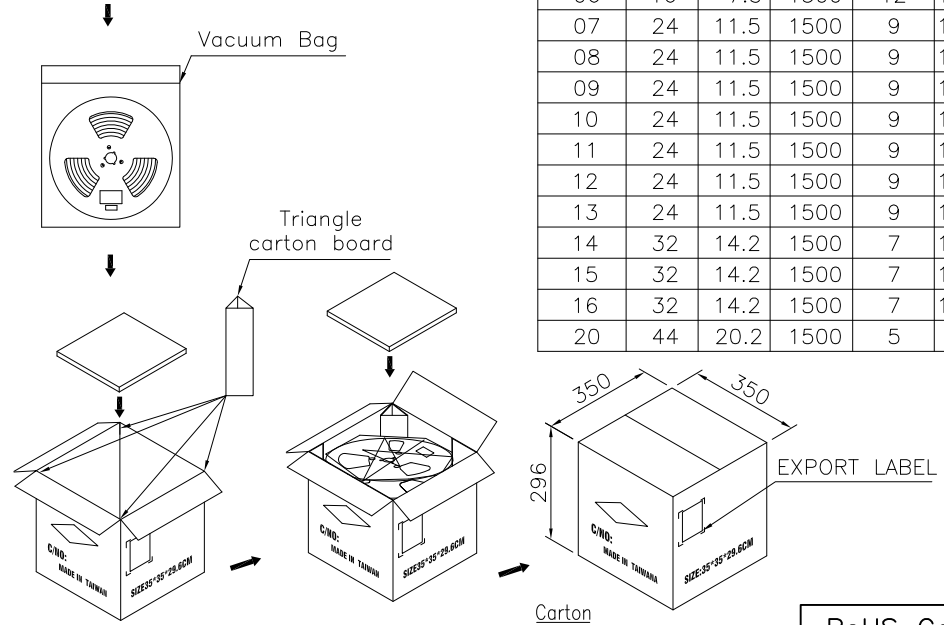
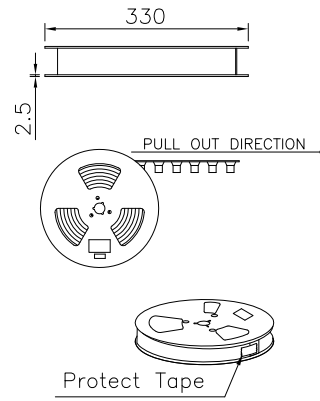
F				DRAWN: Lisy Liu	GENERAL TOLERANCE: .X=±0.20 .XX=±0.15	ON-SHORE TECHNOLOGY, INC.	DESCRIPTION: 1.0mm Wire-to-Board Wafer SMT Side Entry Packing List	SIZE
E								
D	10-OCT-2022			CHECKED: Jerry Chen	UNIT: MM	PART NO: 100B1HXXXX		
C					SCALE:			
B				APPROVAL: Rory Chen	SHEET: 2/2			
A	03-MAR-2022		Lisy		PROJECTION:			
REV	DATE	FILE	BY					



For Reel width (dimension W)16,24mm ,Single row hole



For Reel width (dimension W)32,44mm ,Double rows hole



Note:

- 1.All dimensions meet EIA-481-3 requirements.
- 2.Material: BK Conductive Polystyrene Alloy
100% recyclable.
- 3.Thickness : 0.40±0.05mm
- 4.Component load per 13" reel :1500 pcs.
- 5.CARTON SIZE:350*350*296(mm)
REEL SIZE: 330(mm)
Vacuum bag:450*500*0.2(mm)
SET SPUAR SIZE:35*25.5(mm)
Partitions SIZE:330*330(mm)

Pin.No	W	F	Pcs/R	R/CTN	Q'TY
02	16	7.5	1500	12	18,000
03	16	7.5	1500	12	18,000
04	16	7.5	1500	12	18,000
05	16	7.5	1500	12	18,000
06	16	7.5	1500	12	18,000
07	24	11.5	1500	9	13,500
08	24	11.5	1500	9	13,500
09	24	11.5	1500	9	13,500
10	24	11.5	1500	9	13,500
11	24	11.5	1500	9	13,500
12	24	11.5	1500	9	13,500
13	24	11.5	1500	9	13,500
14	32	14.2	1500	7	10,500
15	32	14.2	1500	7	10,500
16	32	14.2	1500	7	10,500
20	44	20.2	1500	5	7,500

RoHS Compliant

F				DRAWN: Lisy Liu	GENERAL TOLERANCE: .X=±0.20 .XX=±0.15	ON-SHORE TECHNOLOGY, INC.	DESCRIPTION: 1.0mm Wire-to-Board Wafer SMT Side Entry Packing List	SIZE
E								
D	10-OCT-2022			CHECKED: Jerry Chen	UNIT: MM	PART NO: 100B1HXXXX		
C					SCALE:			
B				APPROVAL: Rory Chen	SHEET: 2/2			
A	03-MAR-2022		Lisy		PROJECTION:			
REV	DATE	FILE	BY					