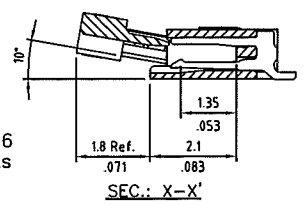
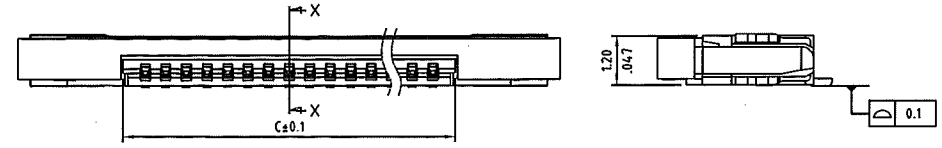
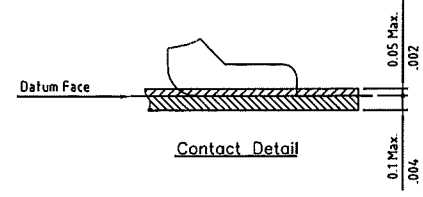


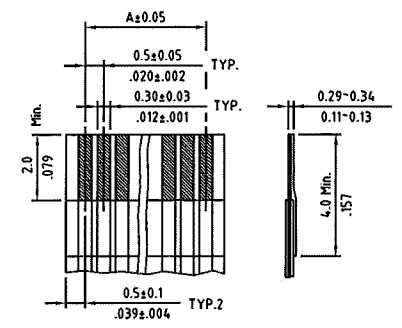
Sold Pad Pattern



SEC.: X-X'



Contact Detail



Accommodated FFC/FPC

A = 0.50 * No. of Spaces
 B = A + 6.2
 C = A + 1.1

* Available 09,15,16,20,21,22,24,25,26,27,28,30,32,33,.40 circuits

SPECIFICATIONS

RATINGS
 Current Rating: 0.4A
 Voltage Rating: 50V AC(r.m.s.)
 Temperature Range: -25°C ~ +85°C
 Contact Resistance: <30mΩ
 Insulation Resistance: >100MΩ
 Dielectric Withstanding Volt: 250V AC for 1 min

MATERIAL:
 Body: Nylon 9T with 33%GF, Nature
 Slider: Nylon 9T with 33%GF, Brown
 Contact: Phosphor Bronze with Tin plating
 Fixed Tab: Brass with Tin plating
 Flammability: UL94V-0

RoHS Compliant

Part Number

FPC0502XXD5XX

of circuits ↑
 ↑ Packaging
 TU - Tube
 TR - Tape/Reel

PLATING:
 1= Au flash (0.8~1.1u") over 50u"min. Ni
 5=120u" Min. Sn over 30u" Ni (Molite Tin Finish)

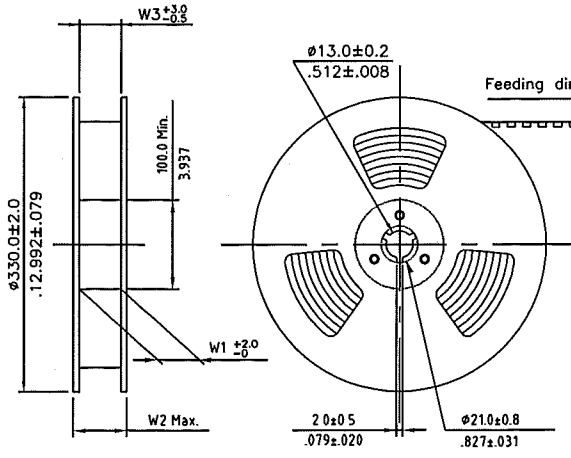
THESE DRAWINGS AND SPECIFICATIONS ARE THE PROPERTY OF ON-SHORE TECHNOLOGY, INC. AND SHALL NOT BE REPRODUCED, COPIED OR USED IN ANY MANNER WITHOUT THE PRIOR WRITTEN CONSENT OF ON-SHORE TECHNOLOGY, INC.



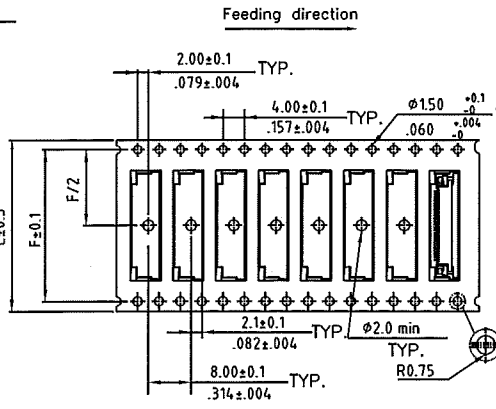
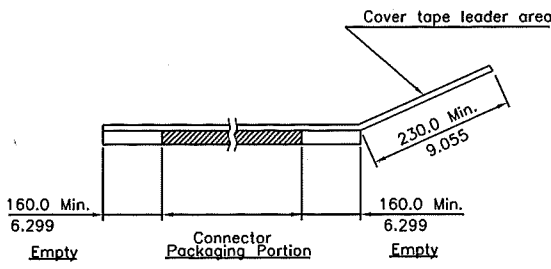
TITLE		FPC0502 Series - 0.50mm SMT ZIF FFC/FPC downside connector				
PART NO.		FPC0502XXD5XX		DWG NO.		FPC0502XXD5XX.DWG
APPROVED	CHECKED	DESIGNED	DRAWN	4050		Tolerance
Alex 2011.04.04	David 2011.04.04	Eisley 2011.04.04	Sandy 2011.04.04			UNIT: mm/inch .X ±0.15/.006 .XX ±0.10/.004 .XXX ±0.05/.002
SHEET: 01/02				REV.: B		

SIGN	DATE	DESCRIPTION	APPROVER
			Tony
THIS IS CAD DRAWING, DO NOT REVISE MANUALLY!!!			

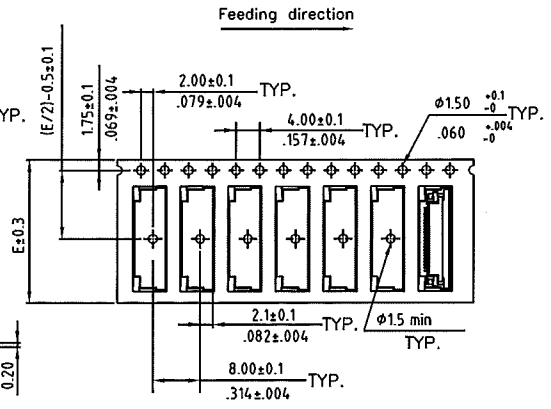
- NOTES:
- 10 sprocket hole pitch cumulative tolerance ± 0.20 .
 - Carrier camber is within 1 mm in 250 mm.
 - Material : Clear, Transparent Polystyrene Alloy (UP-6000).
 - All dimensions meet EIA-481-B requirements.
 - Thickness : 0.40 ± 0.05 mm.
 - Packing length per 22" reel : 98.5 Meters.
 - Component load per 13" reel : 4000 pcs.



Circuits	Dimension					Packing (Reel/Cartron)
	E	F	W1	W2	W3	
04-07	16.0(.630)	-	16.5(.650)	22.5(.886)	16.5(.650)	11
10,14-16,20,21	24.0(.945)	-	24.5(.965)	30.5(1.201)	24.5(.965)	9
24-28,30,32,33	32.0(1.260)	28.40(1.118)	32.5(1.280)	38.5(1.516)	32.5(1.280)	7
40	44.0(1.732)	40.40(1.596)	44.5(1.751)	50.4(1.984)	44.5(1.751)	5



WIDTH : 32.44 mm Carrier



WIDTH : 16.24 mm Carrier



THESE DRAWINGS AND SPECIFICATIONS ARE THE PROPERTY OF ON-SHORE TECHNOLOGY, INC. AND SHALL NOT BE REPRODUCED, COPIED OR USED IN ANY MANNER WITHOUT THE PRIOR WRITTEN CONSENT OF ON-SHORE TECHNOLOGY, INC.

TITLE		FPC0502 Series - 0.50mm FFC/FPC REEL PACKAGING			
PART NO.		DWG NO.		4050	
APPROVED	CHECKED	DESIGNED	DRAWN	Tolerance	
Alex 2007.05.05	David 2007.05.05	Eisley 2005.05.05	Sandy 2007.05.05	X ±0.15/0.006 XX ±0.10/0.004 XXX ±0.05/0.002	
SHEET: 02/02				UNIT: mm/inch SCALE: NONE REV.: A	