


SIGN	DATE	DESCRIPTION	APPROVER
	2007.07.10	Equivalent to previous part number OSTEDXX2150	Sun

THIS IS CAD DRAWING, DO NOT REVISE MANUALLY!!!

- Material:
- Terminal lever: Thermoplastic (UL94V-0)
 - Terminal top housing: Thermoplastic (UL94V-0)
 - Terminal back housing: Thermoplastic (UL94V-0)
 - Female contact : PhBz Tin Plated.
 - Spring clamp : Stainless steel
 - Terminal down housing: Thermoplastic (UL94V-0)
 - With flange screw: Steel Zinc plating M2.5"/+/-"

- Electrical: cULus
- Voltage rating: 160 V
 - Current rating: 5.5 A
 - Wire range:
 - Solid wire(AWG): 16-24
 - Stranded wire(AWG): 16-24
 - Wire strip length: 9-10 mm
 - Withstanding Voltage: 1.32 KV
 - Operating temperature: -40°C to +115°C
 - APPROVAL: 
- RoHS Compliant

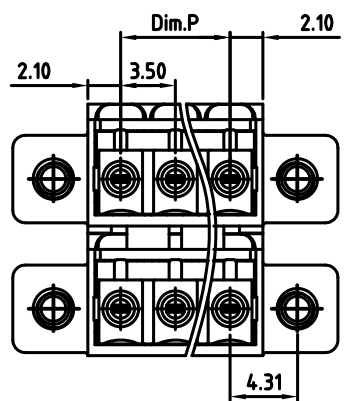
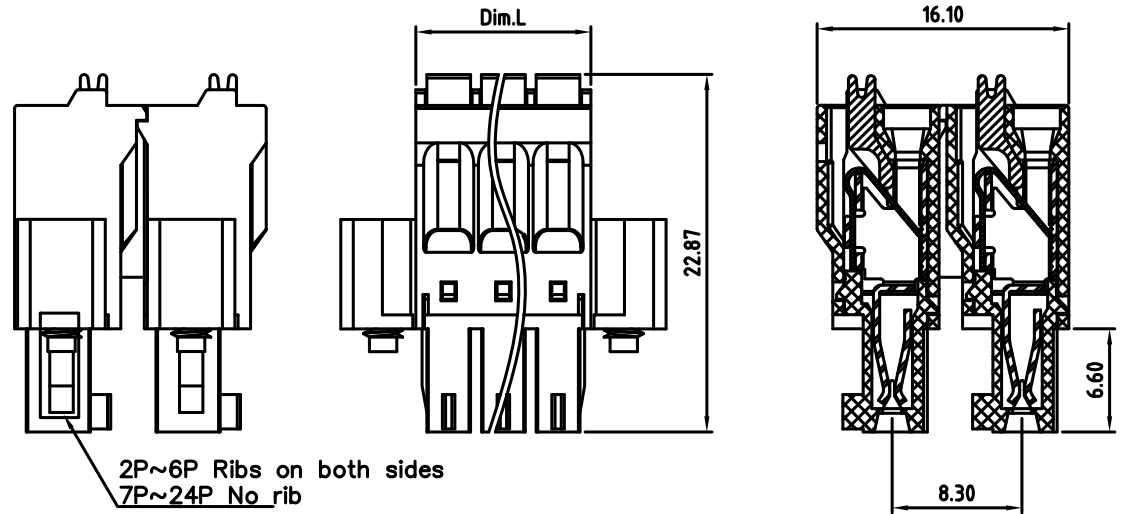
PART NUMBER:

OSTKDXX1051A

- No. OF POLES
- 04: 2x2 POLES
 - 06: 2x3 POLES
 - 48: 2x24 POLES

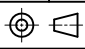

- COLOR
- 0: Black
 - 5: Green (Standard)
 - 6: Blue
 - 8: Grey

THESE DRAWINGS AND SPECIFICATIONS ARE THE PROPERTY OF ON-SHORE TECHNOLOGY, INC. AND SHALL NOT BE REPRODUCED, COPIED OR USED IN ANY MANNER WITHOUT THE PRIOR WRITTEN CONSENT OF ON-SHORE TECHNOLOGY, INC.



POLE		2	3	4	5	6	7	8	9	10	11	12
Dim.L		7.70	11.20	14.70	18.20	21.70	25.20	28.70	32.20	35.70	39.20	42.70
Dim.P		3.50	7.00	10.50	14.00	17.50	21.00	24.50	28.00	31.50	35.00	38.50
Tol.		±0.15					±0.25					
POLE	13	14	15	16	17	18	19	20	21	22	23	24
Dim.L	46.20	49.70	53.20	56.70	60.20	63.70	67.20	70.70	74.20	77.70	81.20	84.70
Dim.P	42.00	45.50	49.00	52.50	56.00	59.50	63.00	66.50	70.00	73.50	77.00	80.50
Tol.		±0.30					±0.40					



TITLE		OSTKD - 3.5mm dual row with flange series					
PART NO.	OSTKDX1051A	DWG NO.	OSTKDX1051A.DWG				
APPROVED	CHECKED	DESIGNED	DRAWN	CUST NO.	Tolerance		
Shi Jun	Marvin	Marvin	Marvin		UNIT: mm	X.	±0.50
2010.05.20	2010.05.20	2010.05.20	2010.05.20		SCALE: NONE	X.X	±0.30
				SHEET: 01/01	REV: A	X.XX	±0.10
						X°	±1°