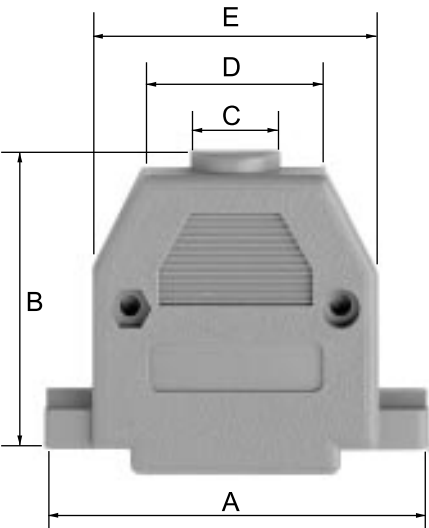
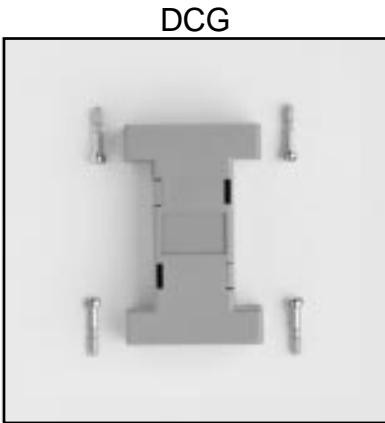
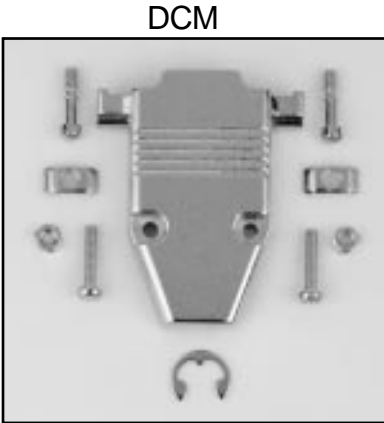
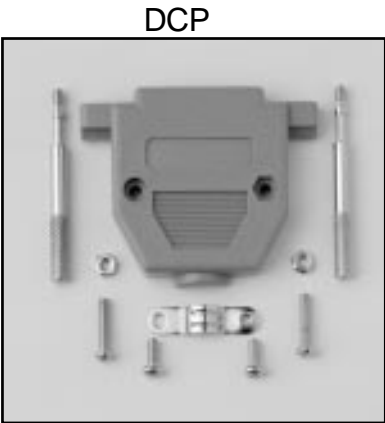


# D-Sub Shells



Ordering example: **DCP - 15**

| Shell Size | DCP Dimensions |      |       |      |      |
|------------|----------------|------|-------|------|------|
|            | A              | B    | C     | D    | E    |
| 09         | 31.0           | 36.0 | 6.80  | 20.1 | 20.1 |
| 15         | 39.5           | 32.3 | 9.70  | 18.5 | 27.8 |
| 25         | 55.0           | 38.5 | 10.70 | 27.5 | 40.8 |

| Shell Size | DCM Dimensions |      |      |      |
|------------|----------------|------|------|------|
|            | A              | B    | C    | E    |
| 09         | 31.4           | 48.3 | 9.5  | 19.4 |
| 15         | 40.2           | 48.3 | 9.0  | 28.0 |
| 25         | 53.8           | 48.3 | 9.0  | 42.0 |
| 37         | 69.2           | 48.5 | 11.0 | 57.8 |
| 50         | 67.1           | 48.5 | 14.0 | 55.0 |

Consult factory for DCG

# Specifications

## Dual Port Right Angle Stacked D-Sub Connector Series:

DP

### Ratings:

|                      |                        |
|----------------------|------------------------|
| Current              | 5A                     |
| Dielectric strength  | AC 1000V for 1 minute  |
| Contact resistance   | 30mΩ max. at DC 100mA  |
| Insulator resistance | 1000MΩ min. at DC 500V |

### Material:

|             |  |
|-------------|--|
| Plastic     | PBT Glass-filled, UL94V-0                                |
| Color       | Black  |
| Contact     | Brass or Phosphor Bronze                                 |
| Shell       | Tin  |
| Temperature | -55°C / +105°C, 260°C for 5 sec. (solder bath resistant) |

## ORDERING PROCEDURE

1 - 2 3 4 5 - 6

1) Series

2) Number of Positions (see chart for available positions)

Gender:

P = Male  
S = Female

3) Number of Positions (see chart for available positions)

Gender:

P = Male  
S = Female

4) Plating:

1 = Full Flash Gold  
6 = Selective Flash Gold  
7 = Selective 10μ Gold\*  
8 = Selective 30μ Gold\*  
\* May Require Minimums

5) Spacing:

A = 15.88  
B = 19.05  
C = 22.86

6) Options:

A = 4-40 Jack screws assembled on connector  
B = Board locks  
G = Grounding straps  
J = 4-40 Jack screws (bulk packed)  
T = Threaded inserts

Please refer to following page for ordering example.