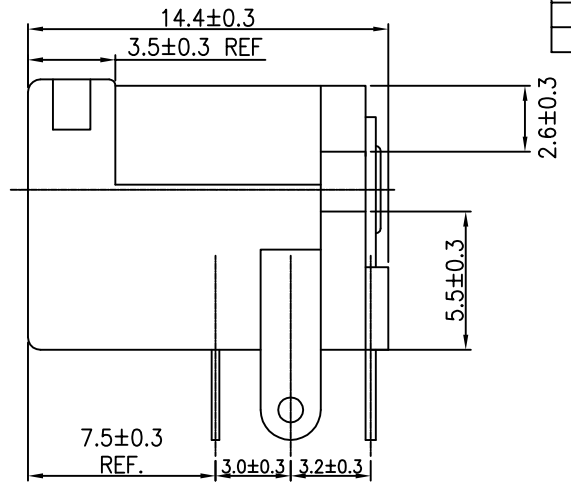
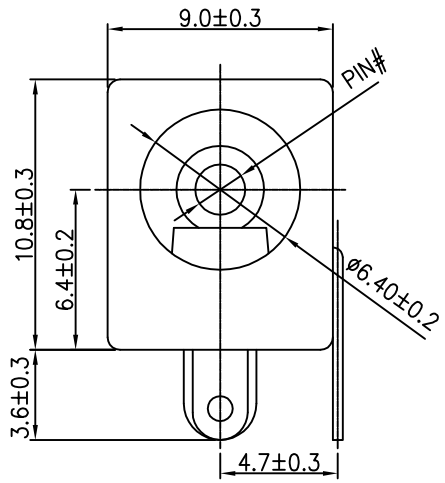


| SIGN | DATE | DESCRIPTION | APPROVER |
|------|------|---|----------|
| | | <i>THIS IS CAD DRAWING, DO NOT REVISE MANUALLY!!!</i> | |

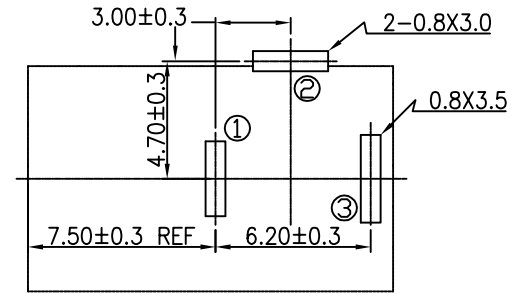


Technical Data:
Voltage rating: 13.5 Volts DC
Current rating: 2.5 Amps DC
Operating temperature: -25°C to +85°C
Soldering reliability:
Test temperature= 265°C ±5°C
3 ± 0.5 seconds max

RoHS Compliant

NOTE : ±0.2 FOR PCB LAYOUT

| TERMINAL | DIMENSION L*W | TOLERANCE |
|----------|------------------|-----------|
| 1 | 0.30*2.20 | ±0.3 |
| 2 | 0.40*2.50 | ±0.3 |
| 3 | 0.40*3.00 | ±0.3 |



PCB LAYOUT
(BOTTOM VIEW)

| | PIN | TOLER. | OST P/N |
|--|-----|------------|-------------|
| | 3 | 2.00 ±0.05 | DCJ-0208-20 |
| | 2 | 2.50 ±0.05 | DCJ-0208-25 |
| | 1 | | |

| ITEM | PART NO. | NAME | MATERIAL | FINISH | Q'TY | NOTE |
|------|----------|----------------|----------|---------------|------|-----------|
| | A210-M4 | CENTER PIN | COPPER | Nichel plated | 1 | Ø2.0/Ø2.5 |
| | A210-M3 | PIN CONTACT | BRASS | TIN plated | 1 | 40T |
| | A210-M2 | SHUNT TERMINAL | BRASS | TIN plated | 1 | 40T |
| | A210-M1 | SPRUNG CONTACT | PBS | TIN plated | 1 | 30T |
| | A210-P2 | COVER | PBT | | 1 | UL94V-0 |
| | A210-P1 | HOUSING | PBT | | 1 | UL94V-0 |

THESE DRAWINGS AND SPECIFICATIONS ARE THE PROPERTY OF ON-SHORE TECHNOLOGY, INC. AND SHALL NOT BE REPRODUCED, COPIED OR USED IN ANY MANNER WITHOUT THE PRIOR WRITTEN CONSENT OF ON-SHORE TECHNOLOGY, INC.

| | | | | | | |
|--------------|----------------------|---|----------------------|-------------------------|--|-----------------|
| TITLE | | DCJ0208-XX Series - DC Power Jack 2.0 and 2.5mm | | | | |
| PART NO. | | DCJ-0208-XX | | DWG NO. | | DCJ-0208-XX.DWG |
| APPROVED | CHECKED | DESIGNED | DRAWN | Tolerance | | |
| | Marvin 2001.03.08 | Marvin 2001.03.08 | Marvin 2001.03.08 | XX ±0.3 XXX ±0.2 | | |
| SHEET: 01/01 | | | | UNIT: mm SCALE: NONE | | X* ±5* |