

Dimension

DIM L	N×5.08
DIM A	(N-1)×5.08

N=Number of poles

Poles	Tolerance
4P-8P	±0.15
9P-14P	±0.25
15P-20P	±0.35
21P-24P	±0.40


SIGN	DATE	DESCRIPTION	APPROVER

THIS IS CAD DRAWING, DO NOT REVISE MANUALLY!!!

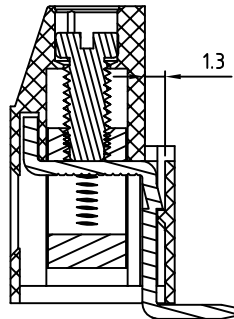
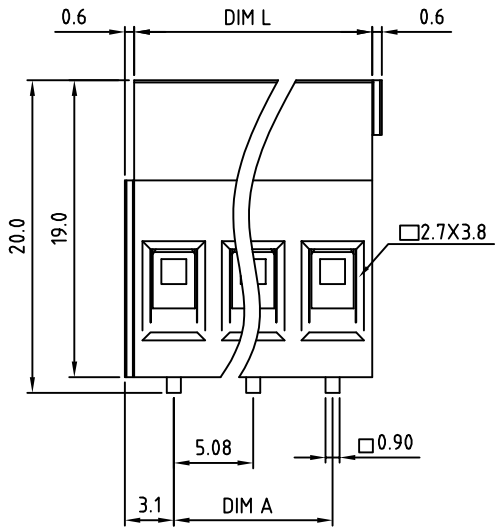
Material:

- Terminal housing:Thermoplastic (UL 94V-0)
- Clamp: Brass ,Ni plated
- Wire guard solder pin: Brass, Tin plated
- Terminal screw: Steel Zinc plating"-slot type

Electrical

- Voltage rating: 300VAC
- Current rating: 20A
- Solid wire(AWG): 12-30
- Stranded wire(AWG): 12-30
- Torque(Lb-In): 3.5
- Screw: M3
- Wire strip length: 6-7mm
- Withstanding Voltage: 1.6KV
- Operating temperature: -40°C to +115°C
- Soldering temperature: 250°C±10°C/5 Sec
- Safety Approval: us

RoHS Compliant



PART NUMBER:

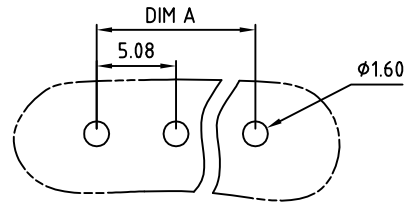
OSTVJXX2153

- No. of Poles
- 02 2 Poles
 - 03 3 Poles
 - ...
 - 24 24 Poles

- COLOR
- 0: Black
 - 5: Green (Standard)
 - 6: Blue
 - 8: Grey

THESE DRAWINGS AND SPECIFICATIONS ARE THE PROPERTY OF ON-SHORE TECHNOLOGY, INC. AND SHALL NOT BE REPRODUCED, COPIED OR USED IN ANY MANNER WITHOUT THE PRIOR WRITTEN CONSENT OF ON-SHORE TECHNOLOGY, INC.

N=Number of poles



P.C.B LAYOUT



TITLE		OSTVJ - 5.08 SERIES 4p-24p 90° Solid block					
PART NO.		OSTVJXX2153		DWG NO.		OSTVJXX2153.DWG	
APPROVED		CHECKED	DESIGNED	DRAWN	CUST NO.		Tolerance
			Aaron 2009.09.15	Aaron 2009.09.15			X. ±0.50
							X.X ±0.30
							X.XX ±0.10
							X° ±1°
					SHEET: 01/01		REV: B