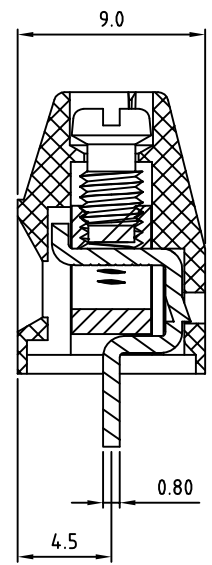
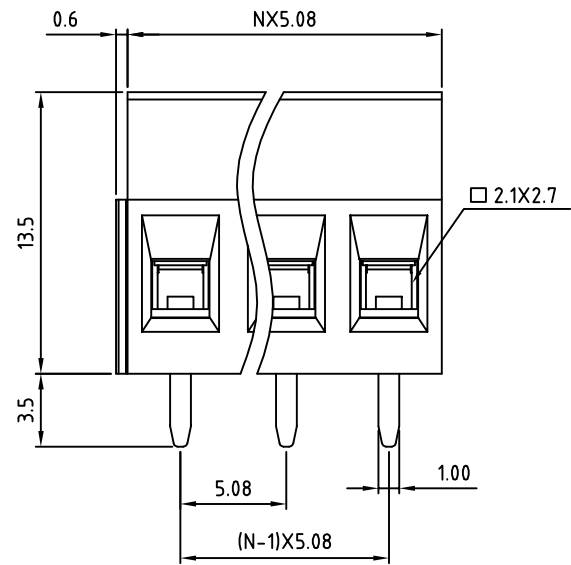
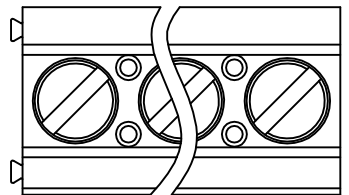
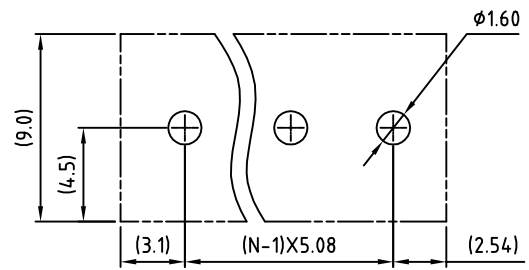


SIGN	DATE	DESCRIPTION	APPROVER
			梁仁松
			Tason
			Tason

THIS IS CAD DRAWING, DO NOT REVISE MANUALLY!!!



N=Number of poles



P.C.B LAYOUT

Material:

- Insulator body: Thermoplastic (UL 94V-0)
- Terminal body(house): Brass ,Ni plated
- Contacts: Brass ,Tin plated
- Terminal screw: Steel Zinc plating"-slot type

Electrical cULus/FIMKO

- Voltage rating: 300VAC/300VAC
- Current rating: 16A/17.5A
- Wire range: 1.5mm<sup>2</sup>  
Solid wire(AWG): 12-28  
Stranded wire(AWG): 12-28
- Torque: 3.5Lb-In./0.5Nm
- Screw: M3
- Wire strip length: 6-7mm
- Withstanding Voltage: 1.6KV/2.5KV
- Operating temperature: -40°C to +115°C
- Soldering temperature: 250°C±10°C/5 Sec
- Safety Approval:

RoHS Compliant

PART NUMBER:

OSTVIXX2155

No. of Poles	COLOR
02 2 Poles	0: Black
03 3 Poles	5: Green (Standard)
...	6: Blue
24 24 Poles	8: Grey

THESE DRAWINGS AND SPECIFICATIONS ARE THE PROPERTY OF ON-SHORE TECHNOLOGY, INC. AND SHALL NOT BE REPRODUCED, COPIED OR USED IN ANY MANNER WITHOUT THE PRIOR WRITTEN CONSENT OF ON-SHORE TECHNOLOGY, INC.



TITLE		OSTVI 5.08 SERIES 180° wire inlet (without cover) Horizontal-solid block				
PART NO.	OSTVIXX2155	DWG NO.	OSTVIXX2155.DWG			
APPROVED	CHECKED	DESIGNED	DRAWN	CUST NO.	Tolerance	
		Jacke	Jacke		X. ±0.50	
		2008.11.12	2008.11.12		X.X ±0.30	
					X.XX ±0.10	
					X° ±1°	
				SHEET: 01/01	UNIT: mm	
					SCALE: NONE	
					REV.: B	