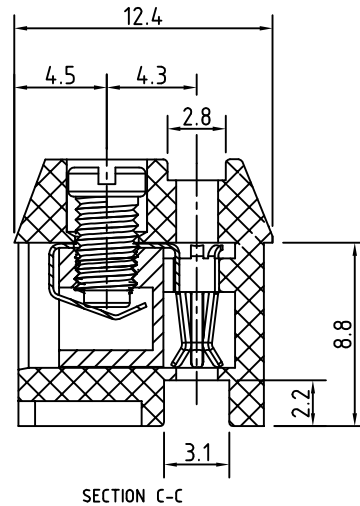
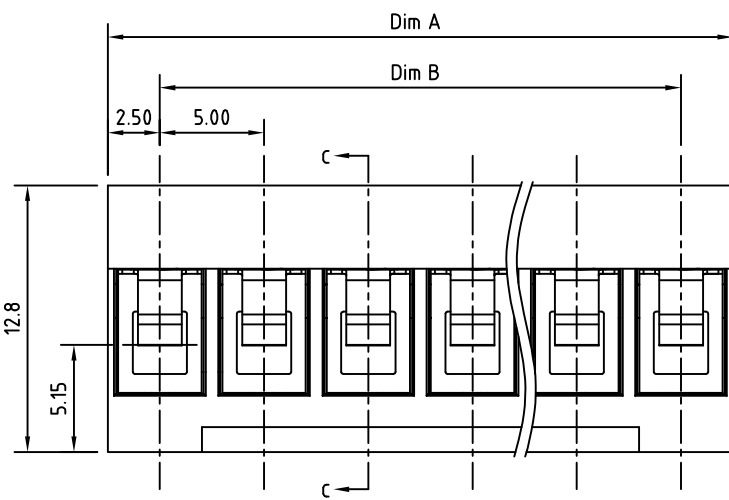
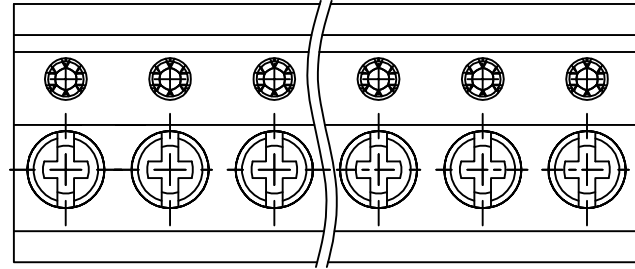


SIGN	DATE	DESCRIPTION	APPROVER

THIS IS CAD DRAWING, DO NOT REVISE MANUALLY!!!



Material

- Clamp: Brass (Cu Zn) Ni plated
- Terminal screw: Steel Zinc plating "+/-" slot type
- Female contact: PhBz, tin plated
- Terminal housing: Thermoplastic (UL94V-0)

Electrical

- Voltage rating: 300V
- Current rating: 10A
- Wire range:
 - Solid wire(AWG): 12-26
 - Stranded wire(AWG): 12-26
- Torque: 3.5Lb-In
- Screw: M3.0
- Wire strip length: 5-6mm
- Withstanding Voltage: 1.6KV
- Operating temperature: -40°C to +115°C

RoHS Compliant

Part Number:

OSTTXXX0200

- No. of Poles
- 02: 2 Poles
 - 03: 3 Poles
 -
 - 24: 24 Poles

- COLOR
- 0: Black (Standard)
 - 5: Green
 - 6: Blue
 - 8: Grey

N = Number of poles
 Dim A=Nx5.0
 Dim B=(N-1)x5.0

	Dim A	Dim B
2-6p	±0.15	±0.15
7-12p	±0.20	±0.20
13-18p	±0.30	±0.30
19-24p	±0.40	±0.40

THESE DRAWINGS AND SPECIFICATIONS ARE THE PROPERTY OF ON-SHORE TECHNOLOGY, INC. AND SHALL NOT BE REPRODUCED, COPIED OR USED IN ANY MANNER WITHOUT THE PRIOR WRITTEN CONSENT OF ON-SHORE TECHNOLOGY, INC.



TITLE		OSTTX-5.0mm Series "+/-" screw, square hole			
PART NO.	OSTTXXX0200	DWG NO.	OSTTXXX0200.DWG		
APPROVED	CHECKED	DESIGNED	DRAWN	CUST NO.	
		Jacke 2009.08.10	Jacke 2009.08.10		
					Tolerance
					X. ±0.50
					X.X ±0.30
					X.XX ±0.10
				SHEET: 01/01	X° ±1°
				UNIT: mm	
				SCALE: NONE	
				REV.: B	