

SIGN	DATE	DESCRIPTION	APPROVER
—			

THIS IS CAD DRAWING, DO NOT REVISE MANUALLY!!!

- Material:**
- Insulator(housing): Thermoplastic (UL 94V-0)
 - Metal housing: Brass, Ni plated.
 - Contacts(Back single row): Brass Tin plated
 - Terminal screw: Steel Zinc plating"-slot type
- Electrical**
- Voltage rating : 600V
 - Current rating : 60A
 - Wire range :
Solid wire (AWG) : 6-20
Stranded wire (AWG) : 6-20
 - Torque (LB-In.) : 19
 - Screw : M4.5
 - Wire strip length : 10 ~11mm
 - Withstanding voltage : 2.2KV
 - Operating temperature : -40°C+115°C
 - Soldering temperature : 250°C+10°C/5 Sec

RoHS Compliant

PART NUMBER:

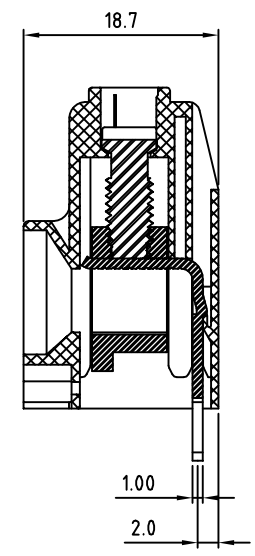
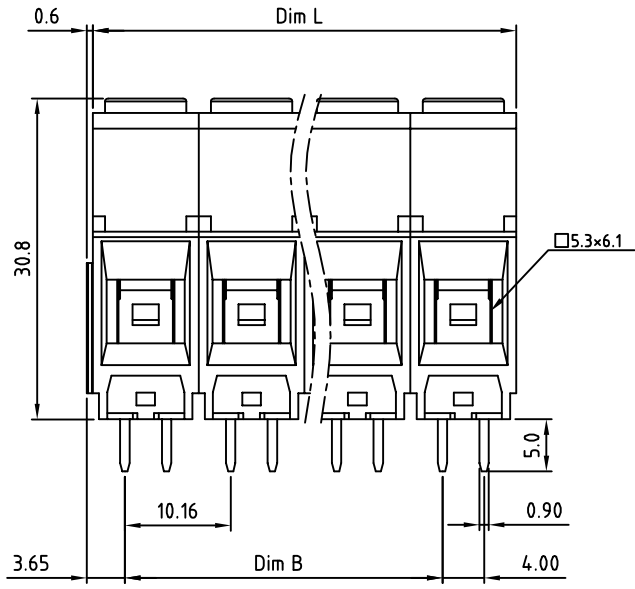
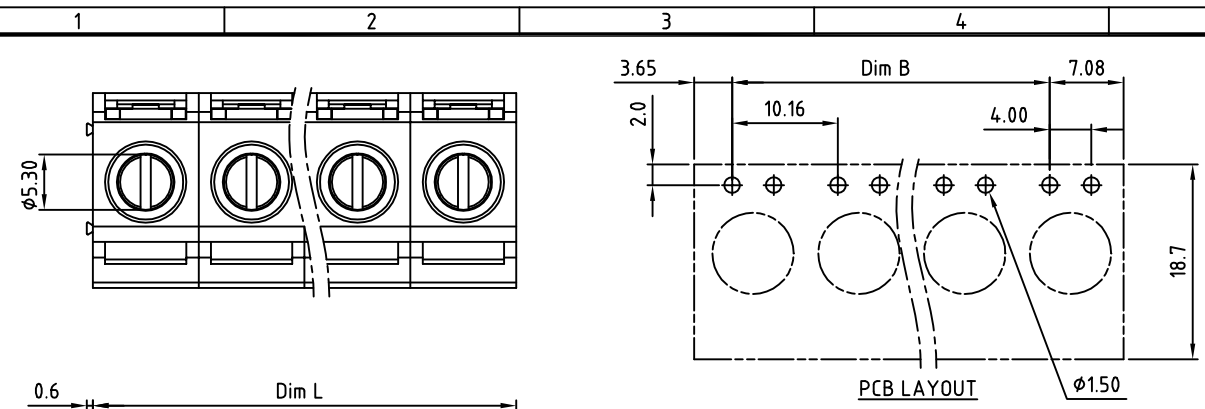
OSTKPXX2151

- | | |
|--------------|---------------------|
| No. of Poles | COLOR |
| 02 2 Poles | 0: Black |
| 03 3 Poles | 5: Green (Standard) |
| ... | 6: Blue |
| 12 12 Poles | 8: Grey |

THESE DRAWINGS AND SPECIFICATIONS ARE THE PROPERTY OF ON-SHORE TECHNOLOGY, INC. AND SHALL NOT BE REPRODUCED, COPIED OR USED IN ANY MANNER WITHOUT THE PRIOR WRITTEN CONSENT OF ON-SHORE TECHNOLOGY, INC.



TITLE	OSTKP 10.16 Series Back single row (Without cover)		
PART NO.	OSTKPXX2151	DWG NO.	OSTKPXX2151.DWG
APPROVED	CHECKED	DESIGNED	DRAWN
		Jacke 2009.07.28	Jacke 2009.07.28
		UNIT: mm SCALE: NONE SHEET: 01/01 REV.: B	
		Tolerance X. ±0.50 X.X ±0.30 X.XX ±0.10 X° ±1°	



SECTION A-A

Poles	01	02	03	04	05	06	07	08	09	10	11	12
Dim L	10.16	20.32	30.48	40.64	50.80	60.96	71.12	81.28	91.44	101.60	111.76	121.92
Dim B		10.16	20.32	30.48	40.64	50.80	60.96	71.12	81.28	91.44	101.60	111.76
TOL	±0.10		±0.20		±0.30		±0.35		±0.40			

