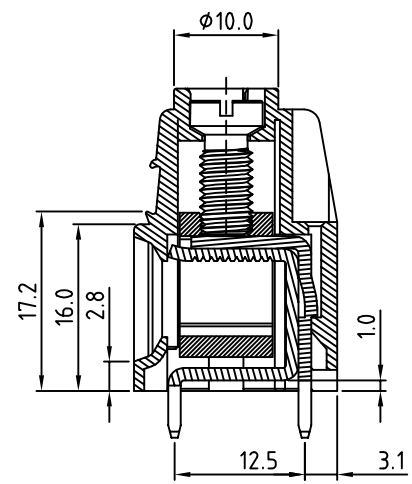
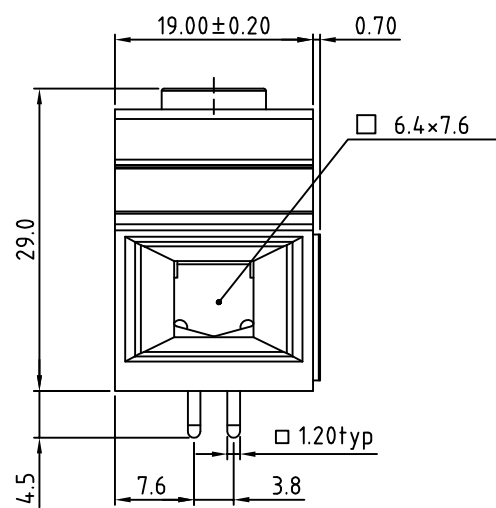
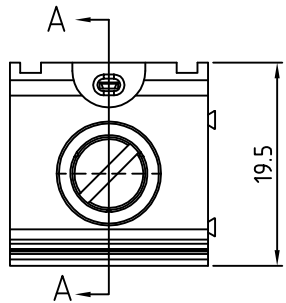
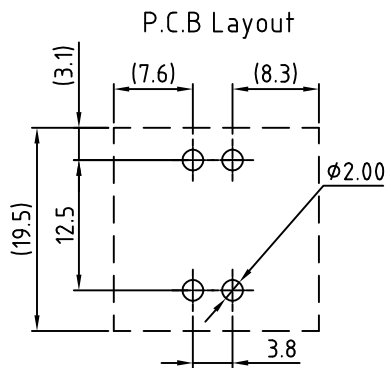


SIGN	DATE	DESCRIPTION	APPROVER
		<i>THIS IS CAD DRAWING, DO NOT REVISE MANUALLY!!!</i>	



SECTION A-A



- Material**
- Terminal body (metal housing) : Brass(CuZn)
  - Terminal screw : Steel Zinc plating "-" slot type
  - Contacts : Brass
  - Surface of solder tail : Tin plated
  - Insulator (housing) : Thermoplastic (UL94V-0)
- Electrical**
- Voltage rating : 600V
  - Current rating : 100A
  - Wire range :
    - Solid wire (AWG) : 3-18
    - Stranded wire (AWG) : 3-18
  - Torque (LB-In.) : 30
  - Screw : M5
  - Wire strip length : 12~15mm
  - Withstanding Voltage : 2.2KV
  - Operating temperature : -30°C+105°C
  - Soldering temperature : 250°C+10°C/5 Sec
  - Safety Approval: us

RoHS Compliant

PART NUMBER:

OSTEJXXD151

- |              |                     |
|--------------|---------------------|
| No. of Poles | COLOR               |
| 01: 1 Pole   | 0: Black            |
| :            | 5: Green (Standard) |
| :            | 6: Blue             |
| 24: 24 Poles | 8: Grey             |



THESE DRAWINGS AND SPECIFICATIONS ARE THE PROPERTY OF ON-SHORE TECHNOLOGY, INC. AND SHALL NOT BE REPRODUCED, COPIED OR USED IN ANY MANNER WITHOUT THE PRIOR WRITTEN CONSENT OF ON-SHORE TECHNOLOGY, INC.

TITLE		OSTEJ 19.0 Series	
PART NO.	OSTEJXXD151	DWG NO.	OSTEJXXD151.DWG
APPROVED	CHECKED	DESIGNED	DRAWN
Shi Jun 2006.10.23	Shi Jun 2006.10.23	Aaron 2006.10.23	Aaron 2006.10.23
SHEET: 01/01		Tolerance	
		UNIT: mm	X. ±0.50
		SCALE: NONE	X.X ±0.30
		REV.: C	X.XX ±0.10
			X° ±1°