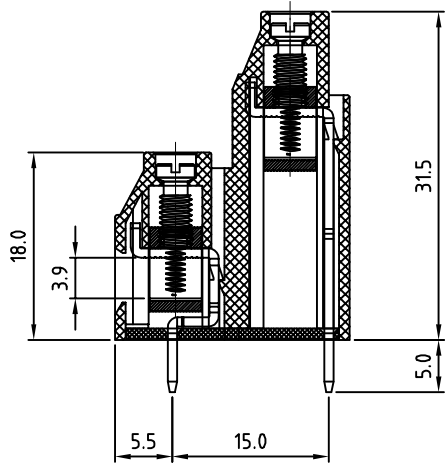
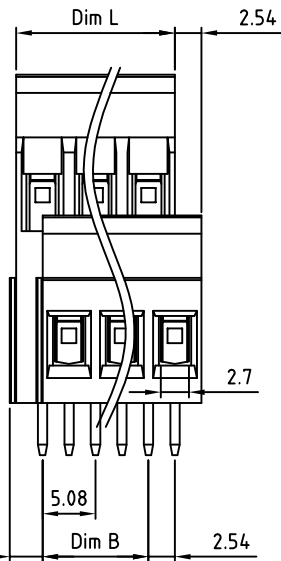
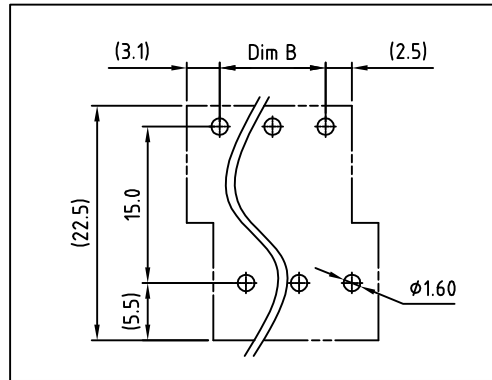
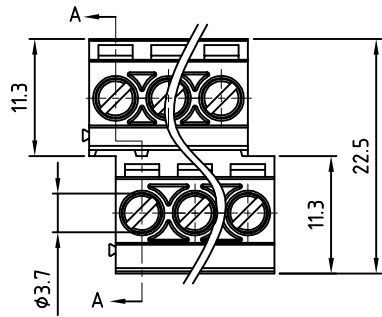


| | | | |
|------|------|-------------|----------|
| SIGN | DATE | DESCRIPTION | APPROVER |
| | | | |

THIS IS CAD DRAWING, DO NOT REVISE MANUALLY!!!



Material

- Terminal body(metal housing): Brass(CuZn)
- Terminal screw: Steel Zinc plating "-" slot type
- Contacts: Brass, Tin plated
- Insulator (Cover): Thermoplastic (UL94V-0)
- Insulator (Body): Thermoplastic (UL94V-0)

Electrical

- Voltage rating: 300VAC
- Current rating: 20A
- Wire range:
 - Solid wire(AWG): 12-22
 - Stranded wire(AWG): 12-22
- Torque(Lb-In): 4.3
- Screw: M3
- Wire strip length: 6-7mm
- Withstanding Voltage: 1.6KV
- Operating temperature: -30°C to +105°C
- Soldering temperature: 250°C±10°C/5 Sec
- Safety Approval:

RoHS Compliant

PART NUMBER

OSTEBXX2150

- | | |
|--------------|---------------------|
| No. of Poles | COLOR: |
| 04: 4 Poles | 0: Black |
| 06: 6 Poles | 5: Green (Standard) |
| | 6: Blue |
| 48: 48 Poles | 8: Grey |

THESE DRAWINGS AND SPECIFICATIONS ARE THE PROPERTY OF ON-SHORE TECHNOLOGY, INC. AND SHALL NOT BE REPRODUCED, COPIED OR USED IN ANY MANNER WITHOUT THE PRIOR WRITTEN CONSENT OF ON-SHORE TECHNOLOGY, INC.

| Poles | 2x2p | 2x3p | 2x4p | 2x5p | 2x6p | 2x7p | 2x8p | 2x9p | 2x10p | 2x11p | 2x12p | 2x13p | |
|-------|-------|-------|-------|-------|-------|-------|--------|--------|--------|--------|--------|-------|--|
| Dim L | 10.16 | 15.24 | 20.32 | 25.40 | 30.48 | 35.56 | 40.64 | 45.72 | 50.80 | 55.88 | 60.96 | 66.04 | |
| Dim B | 5.08 | 10.16 | 15.24 | 20.32 | 25.40 | 30.48 | 35.56 | 40.64 | 45.72 | 50.80 | 55.88 | 60.96 | |
| TOL | ±0.15 | | | | ±0.20 | | | | ±0.25 | | | | |
| Poles | 2x14p | 2x15p | 2x16p | 2x17p | 2x18p | 2x19p | 2x20p | 2x21p | 2x22p | 2x23p | 2x24p | | |
| Dim L | 71.12 | 76.20 | 81.28 | 86.36 | 91.44 | 96.52 | 101.60 | 106.68 | 111.76 | 116.84 | 121.92 | | |
| Dim B | 66.04 | 71.12 | 76.20 | 81.28 | 86.36 | 91.44 | 96.52 | 101.60 | 106.68 | 111.76 | 116.84 | | |
| TOL | ±0.25 | | | ±0.30 | | | | ±0.35 | | | | | |



| | | | | | | |
|----------|----------------------|--------------------------------|----------------------|--------------|-----------------|------------|
| TITLE | | OSTEB 5.08mm Series With cover | | | | |
| PART NO. | OSTEBXX2150 | | | DWG NO. | OSTEBXX2150.DWG | |
| APPROVED | CHECKED | DESIGNED | DRAWN | CUST NO. | | |
| | Marvin 2007.08.11 | Marvin 2007.08.06 | Marvin 2007.08.06 | | | |
| | | | | | UNIT: mm | Tolerance |
| | | | | | SCALE: NONE | X.X ±0.30 |
| | | | | SHEET: 01/03 | REV.: B | X.XX ±0.10 |
| | | | | | | X° ±1° |